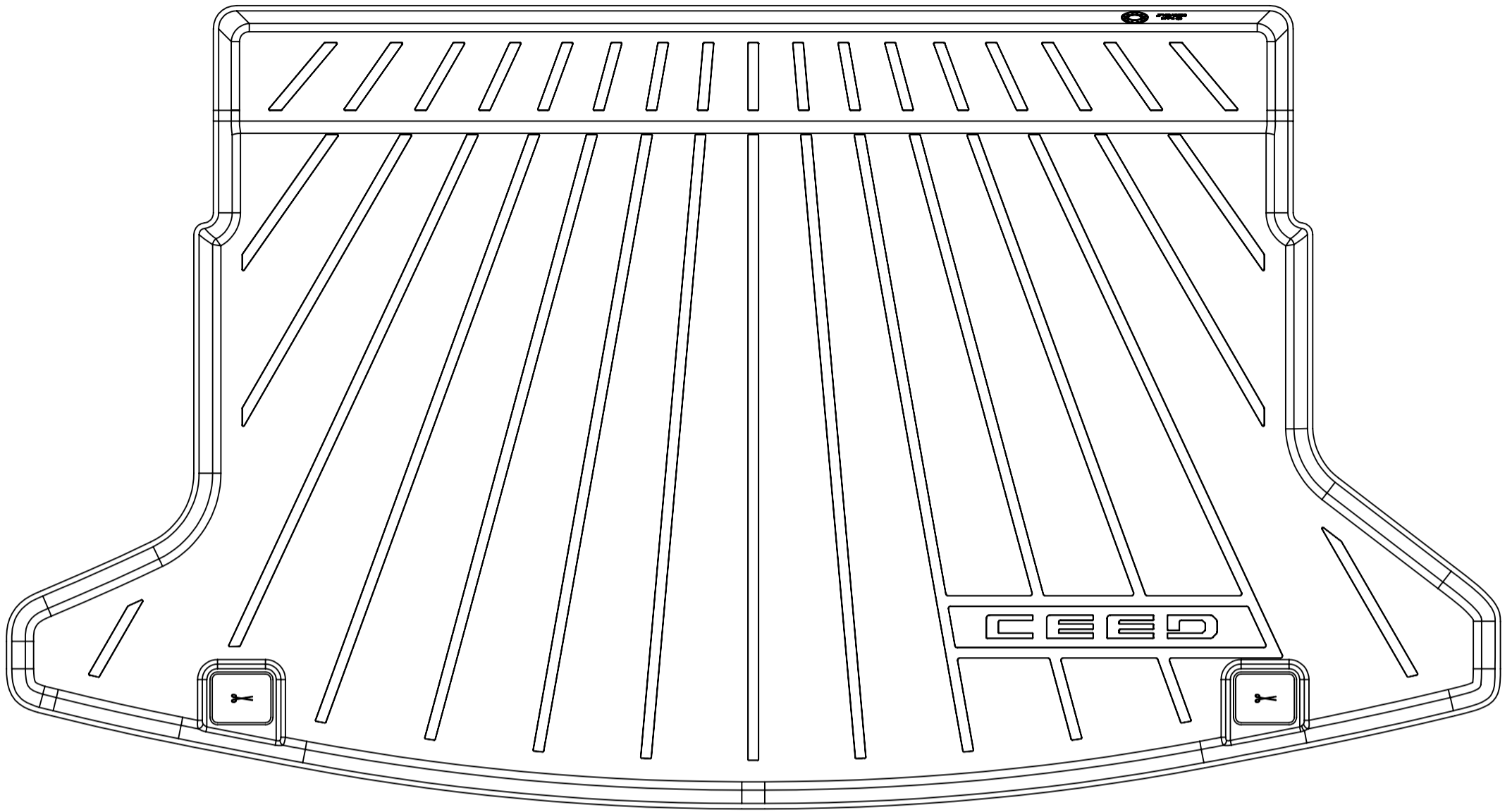


J7122ADE00 (for vehicles without luggage board)



J7122ADE05 (for vehicles with luggage board)

